

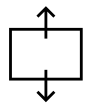
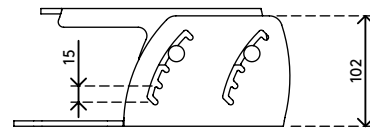
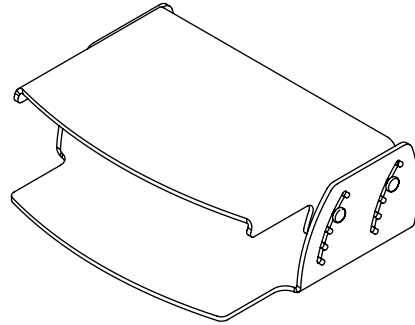
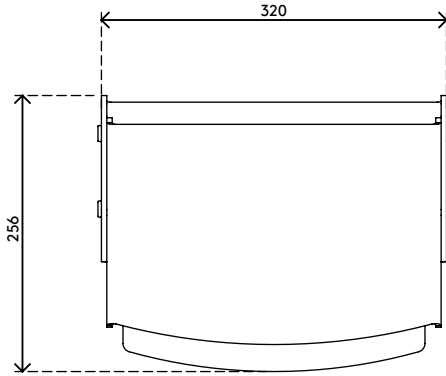
49.550

## Addit monitor riser - adjustable 550

Because it's height adjustable in five small steps, this riser suits practically everyone. It helps to avoid RSI or CANS and has a maximum weight capacity of 15 kg (33 lb). Combine it with an in-line document holder for maximum effectiveness.

- Suitable for monitors up to 15 kg (33 lb)
- 5 mm (0,2") thick clear acrylic
- Saves desk space
- Height adjustable from 70 - 130 mm (2,8" - 5,1") in 4 steps of 15 mm (0,6")
- Dimensions (w x d x h): 320 x 256 x 70 - 130 mm (12,6 x 10,1 x 2,8 - 5,1")

# addit



60 mm (2,3")




15 kg (33 lb)

Addit monitor riser - adjustable 550


2019/06/20


# 49.550

 375 x 295 x 115 mm

 1 pcs

 clear acrylic

 1,45 kg

 805410495503